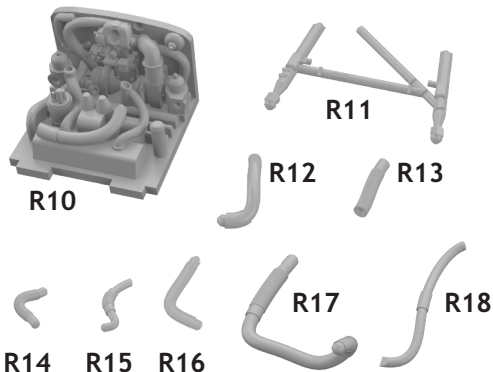


# 648 278 MC.202 undercarriage bay

for Hasegawa/Eduard kit - pro stavěbnici Hasegawa/Eduard



1/48 scale



### COLOURS

GSI Creos (GUNZE)			Mr.METAL COLOR	
AQUEOUS	Mr.COLOR			
[H 4]	C 4	YELLOW		
[H 5]	C 5	BLUE		
[H 6]	C 6	GREEN		
[H 7]	C 7	BROWN		
[H 8]	C 8	SILVER		
[H12]	C33	FLAT BLACK		
[H44]	C51	FLESH		

This product contains metal and resin detail parts for upgrading scale plastic models. When selecting this set make sure that it is for the kit mentioned in product name as these sets are made specifically for that kit. When upgrading the model some cutting or corrections may be necessary for parts to fit accurately. **WARNING!** This set contains small and sharp parts. Work carefully in a ventilated and well-lit room. Safety glasses are recommended. This product is not suitable for children below 14 years of age.

Tento výrobek obsahuje leptané a odlévané detaily pro úpravu a vylepšení plastického modelu. Při výběru sady kovových detailů zkontrolujte, zda je určena pro model, který chcete upravit.



435 21 Obrnice 170  
Czech Republic

www.eduard.com



# 648 278 MC.202 undercarriage bay

for Hasegawa/Eduard kit - pro stavěbnici Hasegawa/Eduard




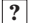





1/48



eduard

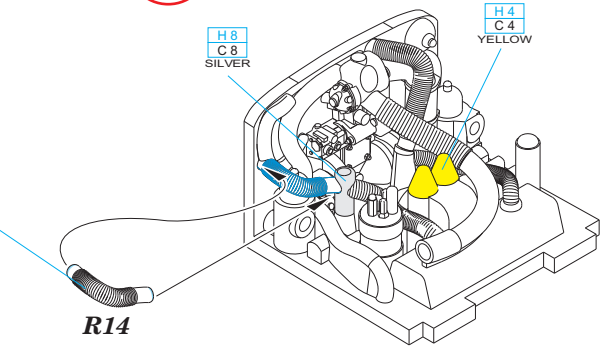
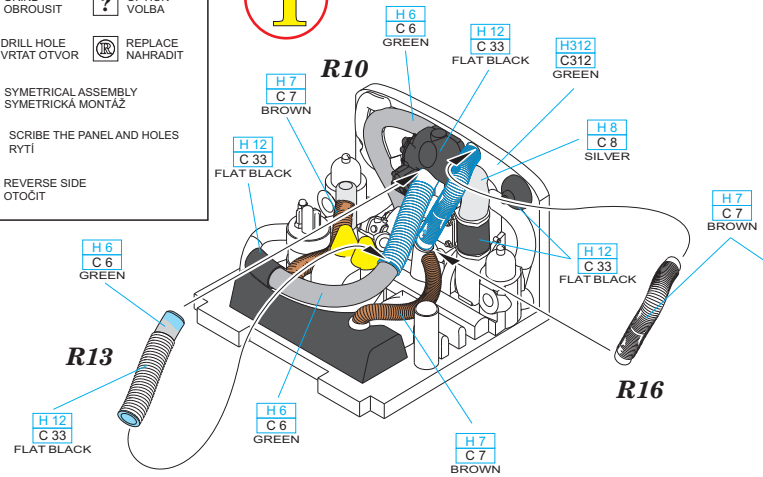


**BEST BRASS RESIN AROUND!**

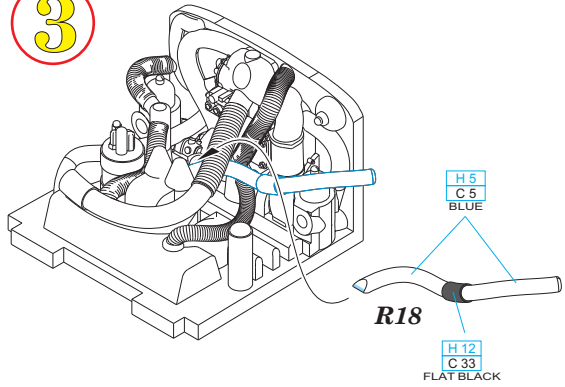
-  REMOVE  
ODSTRANIT
-  BEND  
OHNOUT
-  GRIND  
OBROUSIT
-  OPTION  
VOLBA
-  DRILL HOLE  
VRTAT OTVOR
-  REPLACE  
NAHRADIT
-  SYMMETRICAL ASSEMBLY  
SYMETRICKÁ MONTÁŽ
-  SCRIBE THE PANEL AND HOLES  
RYTÍ
-  REVERSE SIDE  
OTOČIT

**1**

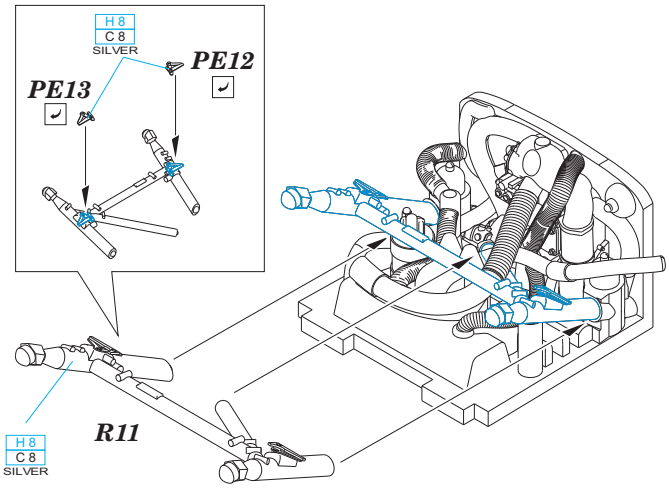
**2**



**3**



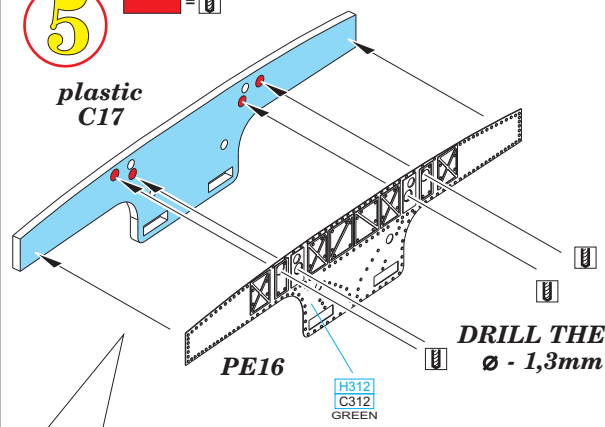
**4**



5



plastic  
C17

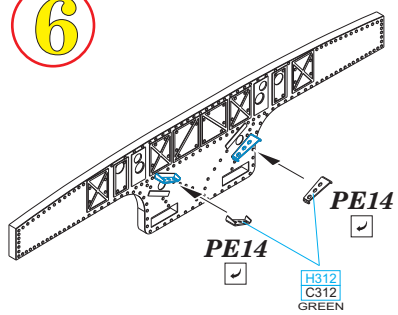


**DRILL THE HOLE**  
Ø - 1,3mm

H312  
C312  
GREEN

PE16

6

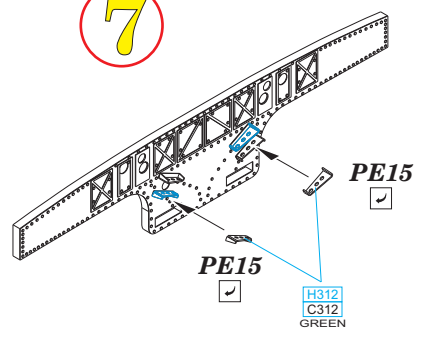


H312  
C312  
GREEN

PE14

PE14

7



H312  
C312  
GREEN

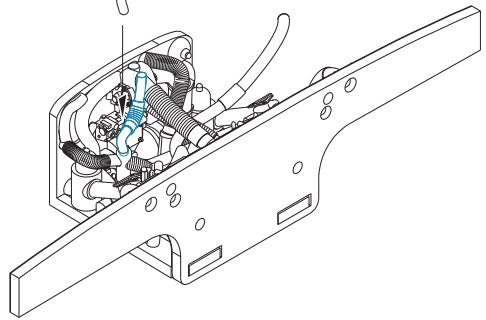
PE15

PE15

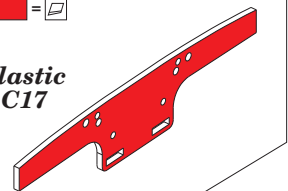
9

H7  
C7  
BROWN

R15



plastic  
C17



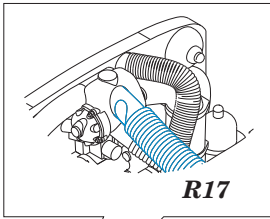
8

H8  
C8  
SILVER

H6  
C6  
GREEN

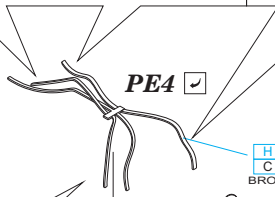
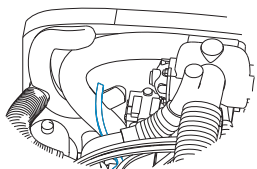
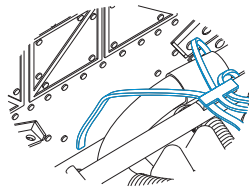
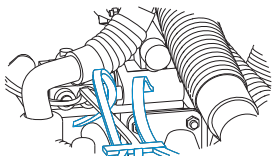
R17

H12  
C33  
FLAT BLACK

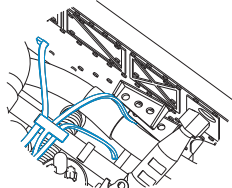
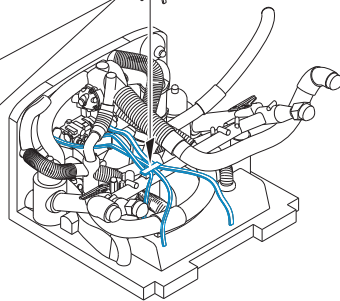


R17

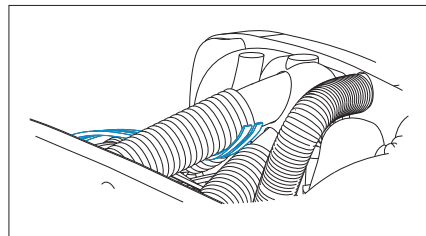
10



H 7  
C 7  
BROWN

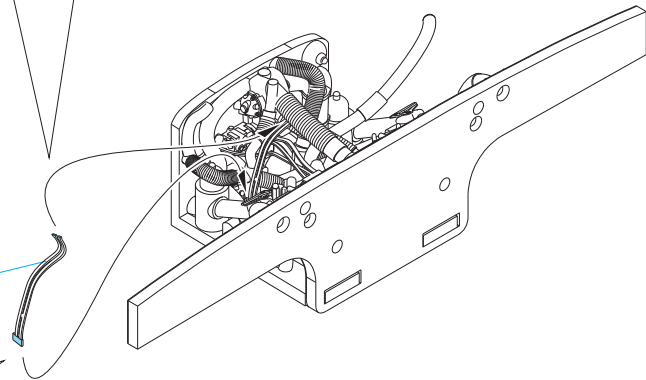
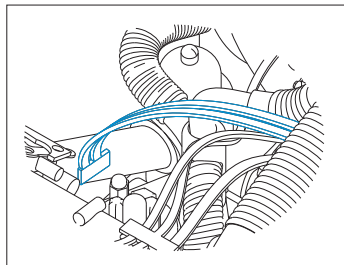


11

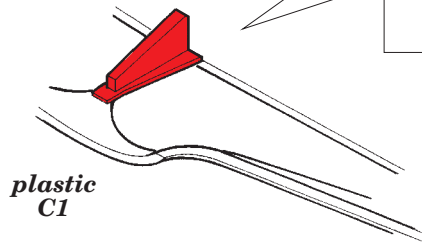
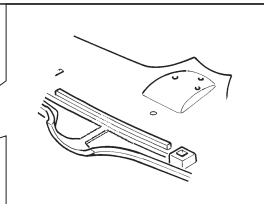


PE9  
✓

H 44  
C 51  
FLESH



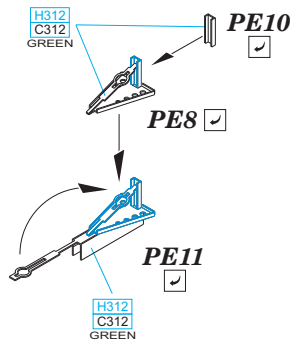
12



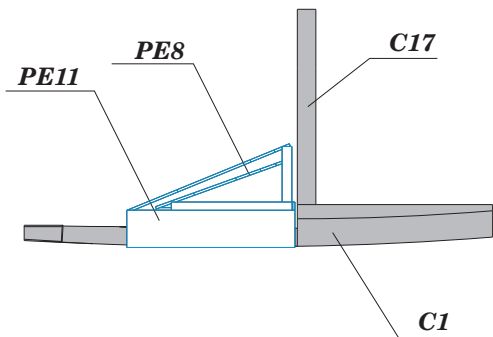
plastic  
C1

13

A



**CORRECT POSITION**



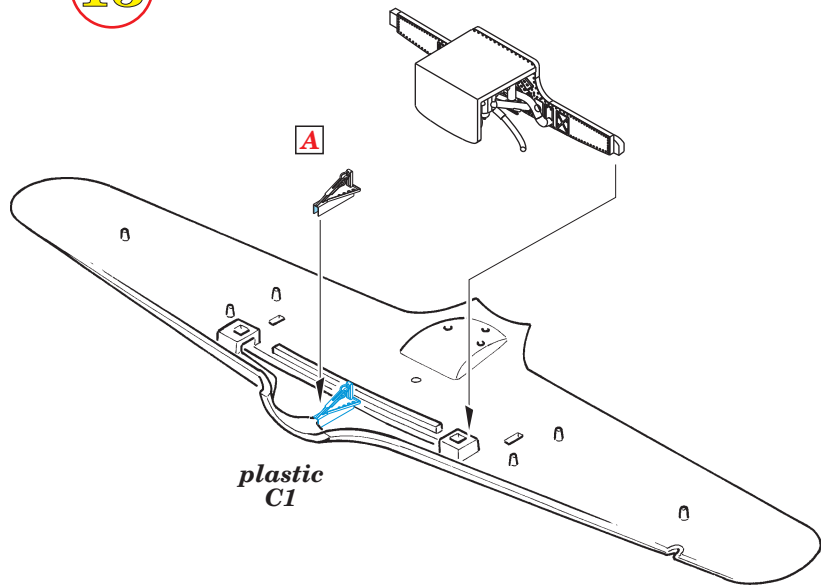
PE11

PE8

C17

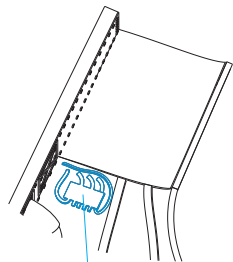
C1

A



plastic  
C1

14



**PE2**

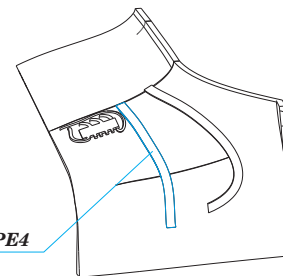
**PE2**   
  
**PE1**

H312  
C312  
GREEN

**PE4**



**PE5**



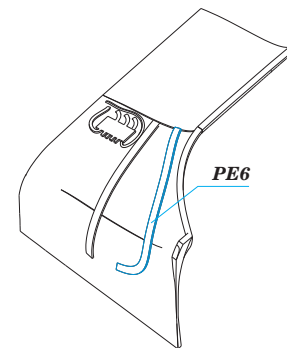
**PE4**

H312  
C312  
GREEN

**PE6**



**PE7**



**PE6**

